



Toona

For swing gates



New motors for swing gates,
ideal for all installation requirements,
both residential and industrial.

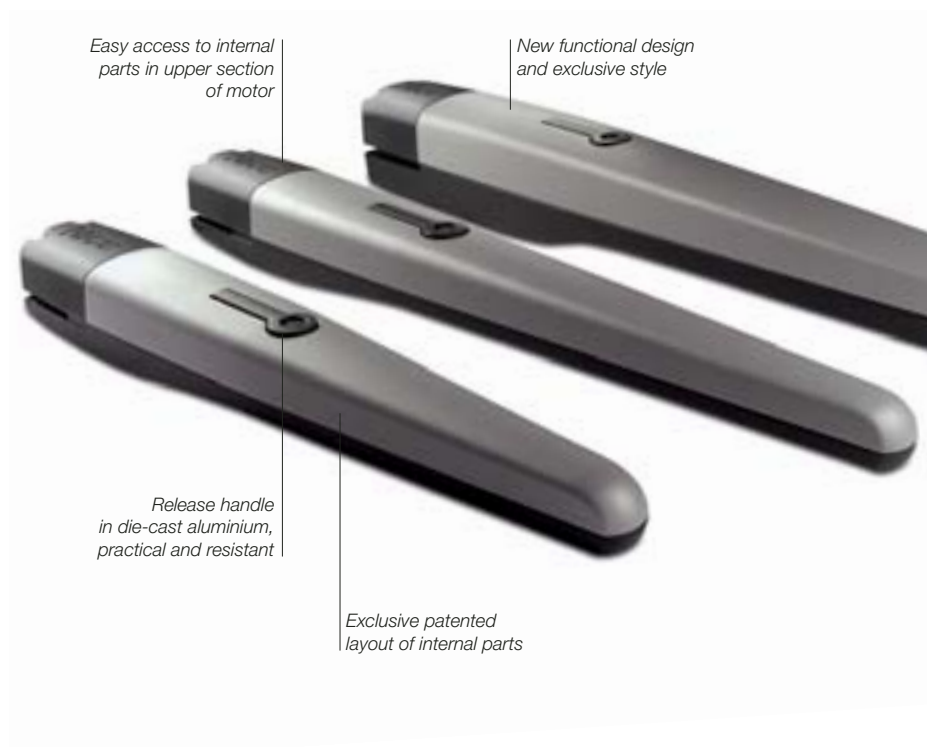
Nice

Home Automation

For swing gates with leaves up to 3 m (Toona4), 5 m (Toona5) and 7 m (Toona7),

Ideal for all requirements from **residential** to **industrial** applications.

Electromechanical gearmotor for external assembly. The 24 Vdc version with magnetic encoder and **new control unit Moonclever** (MC824H) equipped with BlueBUS technology, is designed for use with the solar power system **Solemyo** and the **Opera** system for programming, management and checks of all systems, also at a distance.



New third generation models:

quality and durability thanks to the housing, made up of two tough aluminium shells with polyester paint finish; more resistant to atmospheric agents.

Internal moving parts completely in steel, light alloys and technopolymers.

Reliable and silent: patented layout or internal parts.

Bronze lead screw for safe closure.

Generously sized and practical connection compartment: rapid and easy access from above to internal parts located in the upper section of the motor.

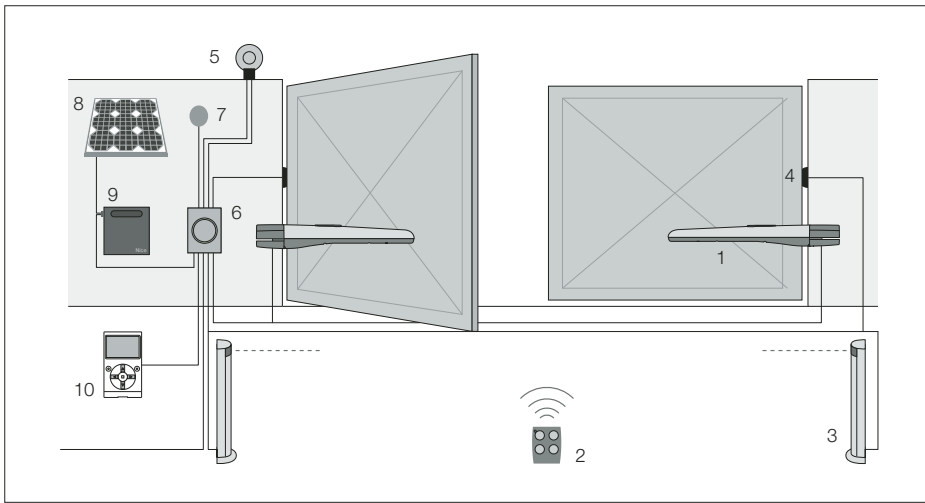
Simple installation and maintenance: with built-in capacitor (Toona4, Toona5).

Ideal for industrial use, Toona 7 is the first motor for leaves up to 7 m.

The 24 Vdc versions with magnetic encoder. Ideal for intensive use, are compatible. With the new control unit Moonclever, equipped with Nice BlueBUS technology, is designed for use with the Solemyo and Opera systems.



1. The solar power kit Solemyo to automate gates, garage doors or road barriers, without the need for costly and invasive excavation work. **2.** Opera: Increased installation safety thanks to the management of Identity Codes and Certificates integrated in the One series transmitters, simple programming via the O-View multi-function display and option for remote management of automations via mobile phone, PDA and PC. **3.** Drastically reduced installation times and simplified wiring, thanks to the BlueBUS system enabling all connections by means of just two wires without polarity.



1.Toona **2.**Transmitter **3.**Photocells mounted on posts **4.**Photocells **5.**Flashing light **6.** Moonclever control unit **7.**Digital or key switches **8.**SYP* solar panel **9.**PSY24* battery box **10.**O-View* multifunction display

*Optional connection to Solemyo and Opera systems

Optional accessories

Total interchangeability with the series Moby: identical positions and fixing brackets



PLA6
rear bracket
250 mm long.
For Toona4
and Toona5

Pc./pack 1

PLA14
screw-adjustable
rear bracket.
For Toona4

Pc./pack 2

PLA15
screw-adjustable
front bracket.
For Toona4

Pc./pack 2

PLA8
screw-adjustable
front bracket.
For Toona

Pc./pack 1

PLA10
vertical 12 V electric
lock (required for gates
longer than 3 m)

Pc./pack 1

PLA11
horizontal 12 V electric
lock (required for gates
longer than 3 m)

Pc./pack 1

PLA13
mechanical travel
stops for closing
and opening
manoeuvres.
For Toona4

Pc./pack 4

Optional accessories

for 24 Vdc versions with MC824H



PS324
24 V battery
with integrated
battery charger

Pc./pack 1

New control unit Moonclever



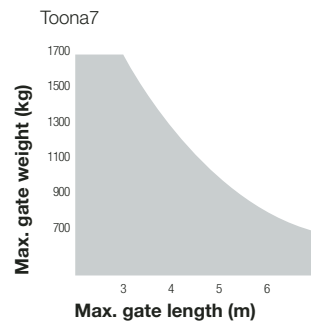
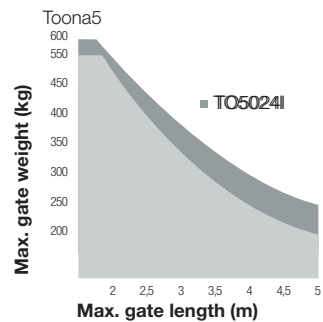
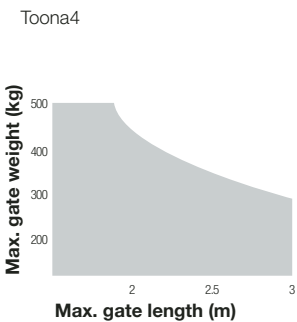
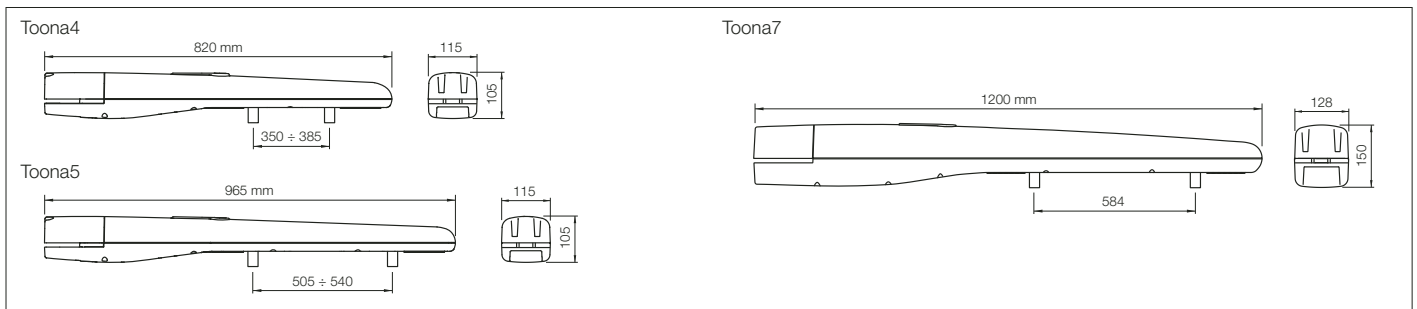
MC824H, the innovative control unit with magnetic encoder for motors 24 Vdc, equipped with BlueBUS technology and designed for operation with the systems Solemyo and Opera

Technical specifications

Code	Description	Pack/pallet
TO4024	irreversible, 24 Vdc, with magnetic encoder, mechanical stop in opening	20
TO4005	irreversible, 230 Vac, fast, with limit switch in opening	20
TO4006	irreversible, 230 Vac, fast, with limit switch in opening and closing	20
TO4015	irreversible, 230 Vac, slow, with limit switch in opening	20
TO4605	reversible, 230 Vac, fast, with limit switch in opening	20
TO5024	irreversible, 24 Vdc, with magnetic encoder, mechanical stop in opening	20
TO5024I	irreversible, 24 Vdc, with magnetic encoder, mechanical stop in opening; for intensive use	20
TO5015	irreversible, 230 Vac, slow, with limit switch in opening	20
TO5016	irreversible, 230 Vac, slow, with limit switch in opening and closing	20
TO5605	reversible, 230 Vac, fast, with limit switch in opening	20
TO7024	irreversible, 24 Vdc, with magnetic encoder, mechanical stop in opening and closing	20

Model	Toona4					Toona5					Toona7
	TO4024	TO4005	TO4006	TO4015	TO4605	TO5024	TO5024I	TO5015	TO5016	TO5605	
Motor code											
Power (Vac 50 Hz)	-	230				-	230				-
Power (Vdc)	24	-				24	-				24
Max. absorption (A)	5	1.5		1.3		5	1.5		1.3		5
Nominal absorption (A)	2	1		0.9		2	2.2		1		2.5
Max. absorbed power (W)	120	340		300		120	340		300		120
Nominal absorbed power (W)	48	180		160		48	180		160		60
Built-in capacitor (µF)	-	7				-	7				-
Protection level (IP)	44					44					44
Speed under no load (m/s)	0.016		0.013	0.016		0.016	0.013		0.016	0.013	
Speed under load (m/s)	0.012		0.010	0.012		0.012	0.010		0.012	0.011	
Travel (mm)	385		350	385		540		505	540		584
Max. force (N)	1800				1800	2200	1800			2700	
Nominal force (N)	600				600	800	600			1400	
Working temp. (°C Min/Max)	-20 ÷ +50					-20 ÷ +50					-20 ÷ +50
Thermal cut-out (°C)	-	140				-	140				-
Work cycle (cycle/hour)	95*	58	54	50		95*	75**	54	50		41*
Insulation class	F					A	F				F
Dimensions (mm)	820x115x105					965x115x105					1200x128x150
Motor weight (kg)	6					7	8	7			15

* with optimal installation **the reduction in number of manoeuvres with respect to the TO5024 version is solely due to the lower speed of manoeuvre



The shape, the height of the gate and the weather conditions can considerably reduce the values shown in the graph to the side. Use in windy areas 230 Vac models.



Nice SpA
 Oderzo TV Italia
 Ph. +39.0422.85.38.38
 Fax +39.0422.85.35.85
 info@niceforyou.com

www.niceforyou.com

The information shown in this publication is purely indicative. Nice reserves the right to make any modifications to the products as it sees fit.