

**1.**Toona **2.**Transmitter **3.**Photocells mounted on posts **4.**Photocells **5.**Flashing light **6.** Moonclever control unit **7.**Digital or key switches **8.**SYP\* solar panel **9.**PSY24\* battery box **10.**O-View\* multifunction display

\*Optional connection to Solemyo and Opera systems

### Optional accessories

Total interchangeability with the series Moby: identical positions and fixing brackets



**PLA6**  
rear bracket  
250 mm long.  
For Toona4  
and Toona5

Pc./pack 1

**PLA14**  
screw-adjustable  
rear bracket.  
For Toona4

Pc./pack 2

**PLA15**  
screw-adjustable  
front bracket.  
For Toona4

Pc./pack 2

**PLA8**  
screw-adjustable  
front bracket.  
For Toona

Pc./pack 1

**PLA10**  
vertical 12 V electric  
lock (required for gates  
longer than 3 m)

Pc./pack 1

**PLA11**  
horizontal 12 V electric  
lock (required for gates  
longer than 3 m)

Pc./pack 1

**PLA13**  
mechanical travel  
stops for closing  
and opening  
manoeuvres.  
For Toona4

Pc./pack 4

### Optional accessories

for 24 Vdc versions with MC824H



**PS324**  
24 V battery  
with integrated  
battery charger

Pc./pack 1

### New control unit Moonclever



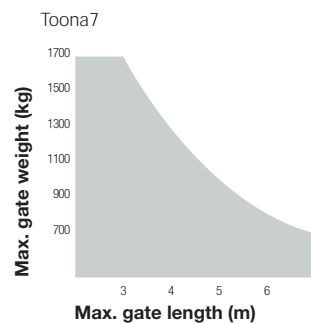
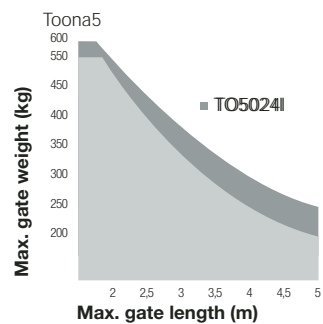
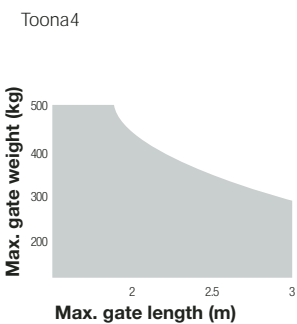
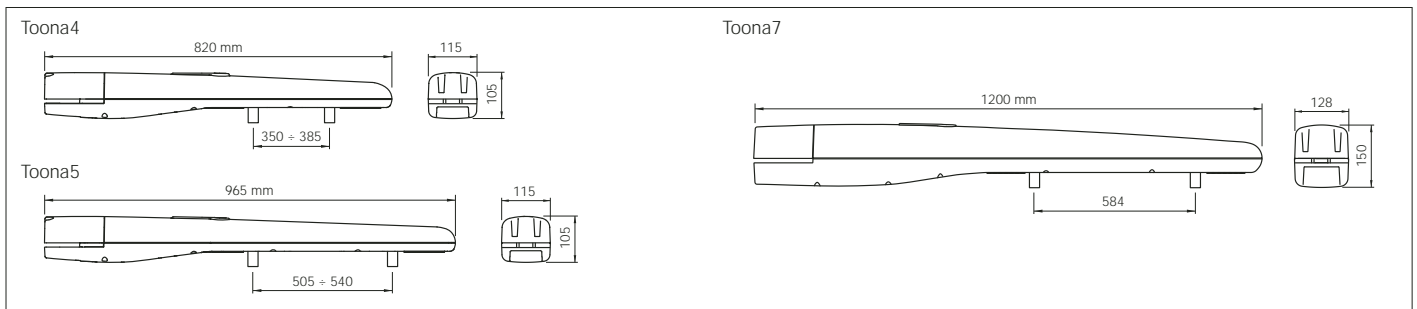
*MC824H, the innovative control unit with magnetic encoder for motors 24 Vdc, equipped with BlueBUS technology and designed for operation with the systems Solemyo and Opera*

## Technical specifications

Code	Description	Pack/pallet
<b>TO4024</b>	irreversible, 24 Vdc, with magnetic encoder, mechanical stop in opening	20
<b>TO4005</b>	irreversible, 230 Vac, fast, with limit switch in opening	20
<b>TO4006</b>	irreversible, 230 Vac, fast, with limit switch in opening and closing	20
<b>TO4015</b>	irreversible, 230 Vac, slow, with limit switch in opening	20
<b>TO4605</b>	reversible, 230 Vac, fast, with limit switch in opening	20
<b>TO5024</b>	irreversible, 24 Vdc, with magnetic encoder, mechanical stop in opening	20
<b>TO5024I</b>	irreversible, 24 Vdc, with magnetic encoder, mechanical stop in opening; for intensive use	20
<b>TO5015</b>	irreversible, 230 Vac, slow, with limit switch in opening	20
<b>TO5016</b>	irreversible, 230 Vac, slow, with limit switch in opening and closing	20
<b>TO5605</b>	reversible, 230 Vac, fast, with limit switch in opening	20
<b>TO7024</b>	irreversible, 24 Vdc, with magnetic encoder, mechanical stop in opening and closing	20

Model	Toona4					Toona5					Toona7		
	TO4024	TO4005	TO4006	TO4015	TO4605	TO5024	TO5024I	TO5015	TO5016	TO5605		TO7024	
Motor code													
Power (Vac 50 Hz)	-	230				-	230				-		
Power (Vdc)	24	-				24	-				24		
Max. absorption (A)	5	1.5		1.3		5	1.5		1.3		5		
Nominal absorption (A)	2	1		0.9		2	2.2		1		2.5		
Max. absorbed power (W)	120	340		300		120	340		300		120		
Nominal absorbed power (W)	48	180		160		48	180		160		60		
Built-in capacitor ( F)	-	7				-	7				-		
Protection level (IP)	44					44					44		
Speed under no load (m/s)	0.016		0.013		0.016	0.016	0.013		0.016		0.013		
Speed under load (m/s)	0.012		0.010		0.012	0.012	0.010		0.012		0.011		
Travel (mm)	385		350		385	540		505		540	584		
Max. force (N)	1800					1800	2200		1800		2700		
Nominal force (N)	600					600	800		600		1400		
Working temp. (°C Min/Max)	-20 ÷ +50					-20 ÷ +50					-20 ÷ +50		
Thermal cut-out (°C)	-	140				-	140				-		
Work cycle (cycle/hour)	95*	58		54		50	95*	75**		54		50	41*
Insulation class	F					A	F				F		
Dimensions (mm)	820x115x105					965x115x105					1200x128x150		
Motor weight (kg)	6					7	8		7		15		

\* with optimal installation \*\*the reduction in number of manoeuvres with respect to the TO5024 version is solely due to the lower speed of manoeuvre



The shape, the height of the gate and the weather conditions can considerably reduce the values shown in the graph to the side. Use in windy areas 230 Vac models.



**Nice SpA**  
 Oderzo TV Italia  
 Ph. +39.0422.85.38.38  
 Fax +39.0422.85.35.85  
 info@niceforyou.com

[www.niceforyou.com](http://www.niceforyou.com)

The information shown in this publication is purely indicative. Nice reserves the right to make any modifications to the products as it sees fit.